

# FX003

# QTC Selective Call Tone Decoders

Publication D/003/4 February 1990

- 15-Tone Selcall Decoder
- Group Call and Data Capability
- Excellent Noise Performance
- 4 Bit Data Output
- Few External Components

- CCIR, ZVEI, EEA, EIA Tone Sets
- $\mu$  Processor Compatible
- High Dynamic Range
- Low Power CMOS
- On-Chip Oscillator Uses Low-Cost Resonator

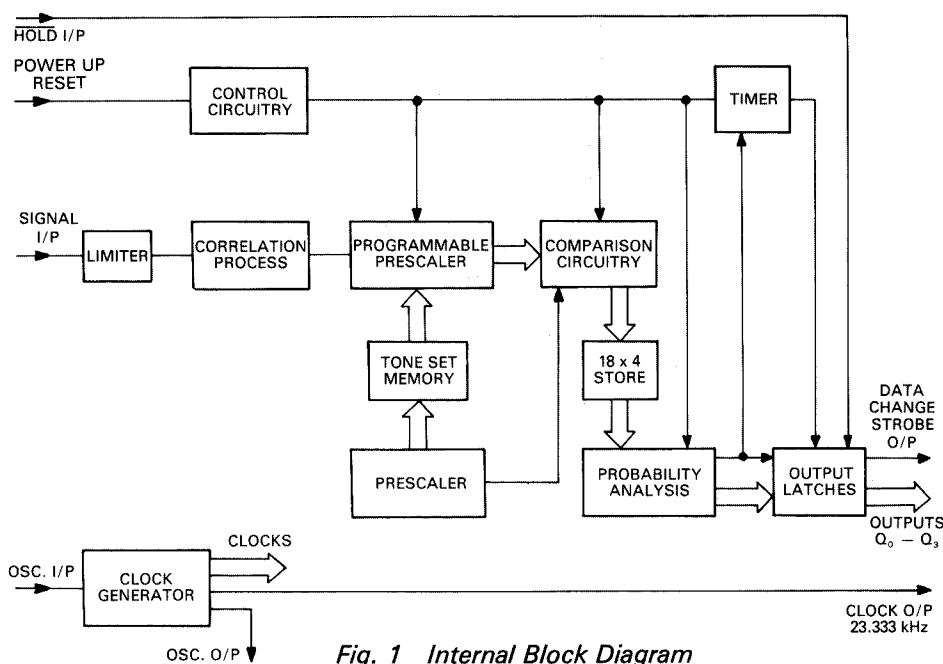


Fig. 1 Internal Block Diagram

**FX003 QC**  
**FX003 QZ**  
**FX003 QE**  
**FX003 QA**  
**FX003 QZS**

The FX003 is a CMOS QTC (Quadradecimal Tone Coding) tone decoder which may be used to decode Selcall tones in accordance with CCIR, ZVEI, EEA and EIA international tone standards.

The FX003 detects an input frequency falling within any of the fifteen tone channels programmed on-chip and outputs the hexadecimal tone number in 4-bit binary code. When a tone is detected, its 4-bit code is latched at the data outputs and a Data Change is generated. Failure to qualify any tone for a continuous period of 33 ms causes the output to be set to 'Notone' (16th logic state) and a Data Change strobe to be generated.

A DATA CHANGE output signals each change in the output code and can be used with the HOLD/ACKNOWLEDGE input to establish

handshake routines with microprocessors and other data processing logic.

A 'Power Up Reset' (PURS) routine ensures all internal circuitry is correctly reset when power is first applied to the device. Following 'PURS' the FX003 generates HEX 'E' (NO DATA CHANGE) which in turn is followed by a normal decode sequence.

The on-chip inverter may be used with a resonator to provide the 560 kHz master clock for the device, or an external clock may be used. A divided down buffered 23.33 kHz clock output is also provided for use with other '03 devices and trimming of the 560 kHz resonator.

The FX003 is available in a number of pin compatible versions, each version programmed in accordance with the frequencies and bandwidths of a specified QTC toneset.

Pin	Description (See Figure 2)			Function
D.I.L. FX003*	Chip Carrier FX102K    FX202*K (see Note A)			*QC, QZ, QE, QA, QZS
1	2	—		<b>23.333 kHz Clock O/P:</b> A 23.333 kHz buffered squarewave logic output directly derived from the oscillator frequency (nominally 560.0 kHz). May be used for auxiliary functions e.g. 560 kHz resonator trimming, external timing of received tone periods and for other '03 family products.
2	4	—		$\overline{\text{Xtal}}$ : Output from on-chip inverter.
3	6	—		<b>Xtal/Clock:</b> Input to on-chip inverter may be used in conjunction with $\overline{\text{Xtal}}$ O/P and 560 kHz resonator or as a buffered input for an external clock (nominally 560.0 kHz).
4	10	5		<b>VSS:</b> Negative supply.
5	—	8		<b>Hold I/P:</b> Active when at VSS. If hold is taken to VSS when the input tone changes it latches the next data change pulse at logic 1 until the $\overline{\text{Hold}}$ is returned to VDD. This facilitates Interrupt/Handshake routines for micro-processors when used in conjunction with the Data Change O/P. Tie to VDD if not used.
6	—	9		<b>Power Up Reset:</b> A logic 1 level of at least 1 ms duration is required at this pin to reset internal circuitry on power-up. For slow-rising power supplies increase the time constant of the components shown accordingly.
7 & 16	1 3 5 7 8 9 11 12 14 15 16 18 20 21 22 23 25 27	1 2 3 6 7 10 11 13 14 15 18 20 23 24 26 28		<b>Internally Connected/Open Circuit:</b> Should be left open circuit.
8	—	16		<b>Data Change:</b> A pulse is generated at this pin shortly after detection of a tone and new data being presented at the Q <sub>0</sub> — Q <sub>3</sub> outputs (see Figure 5 Timing Diagram).
9	—	22		<b>Q<sub>3</sub> } Data Outputs:</b> A 4-bit word which <b>Q<sub>2</sub> }</b> is output after a successful decode <b>Q<sub>1</sub> }</b> and represents the Hex code for the <b>Q<sub>0</sub> }</b> decoded tone frequency.
10				
11				
12				
13	19	25		<b>VDD:</b> Positive Supply.
14	24	—		<b>Signal Input:</b> Audio selcall tones are a.c. coupled to this pin via a capacitor. D.C. bias of the internal high gain limiter is set up by connecting this pin via a resistor to the bias pin.
15	26	—		<b>Signal Bias:</b> These pins should not be loaded with any other circuitry.
—	—	3		93.333 kHz Osc I/P } FX102K/FX202*K: Interchip connections. 93.333 kHz Osc O/P. } These pins should not be loaded with any external Logic Signal I/P. } circuitry. Logic Signal O/P } FX003*D.I.L.: internally connected.
—	13	—		
—	—	27		
—	17	—		

**Note A:**  
FX102K and FX202\*K are sold as a pair, and represent the same circuit function as the FX003\* D.I.L. device.

## EXTERNAL COMPONENT CONNECTIONS

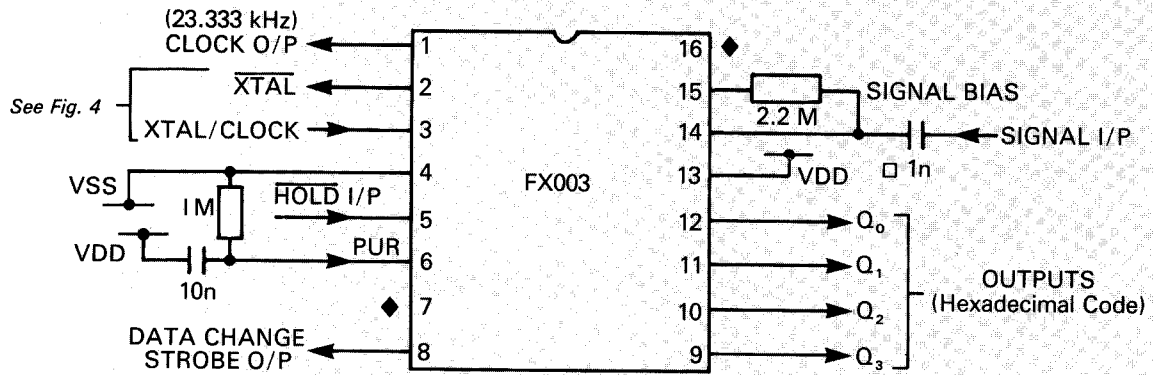


Fig. 2 Dual-In-Line

- \* QC, QZ, QE, QA, QZS
- ◆ No connection. Do not tie.
- 1n recommended value for C, Z, E and ZS versions.  
2.2n recommended value for the A version.

### INTERCONNECTION OF FX102K AND FX202\*K AND EXTERNAL COMPONENTS

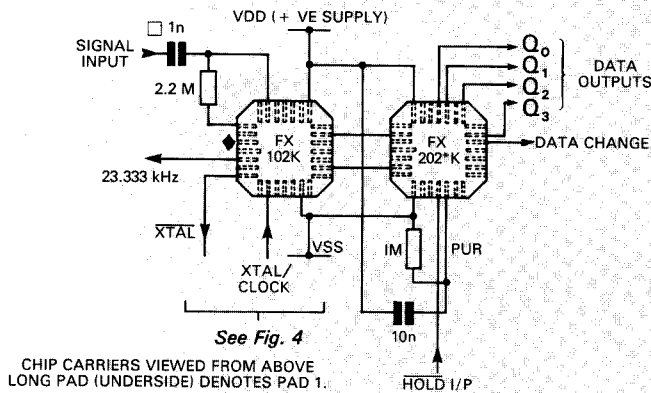


Fig. 3 Chip Carrier

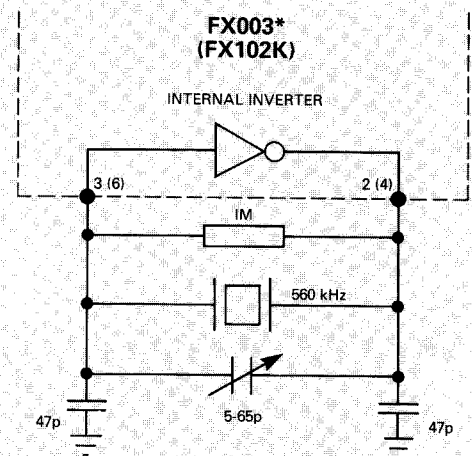


Fig. 4 560 kHz Resonator Circuit

## Character Tone Table

Tone Frequencies ( $f_0$ ) in Hz

003QA (EIA)	003QC (CCIR)	003QE (EEA)	003QZ (ZVEI)	003QZS (ZVEI-S)	$Q_3$	Output Code			QTC Format Character
						$Q_2$	$Q_1$	$Q_0$	
600	1981	1981	2400	2400	0	0	0	0	0
741	1124	1124	1060	1060	0	0	0	1	1
882	1197	1197	1160	1160	0	0	1	0	2
1023	1275	1275	1270	1270	0	0	1	1	3
1164	1358	1358	1400	1400	0	1	0	0	4
1305	1446	1446	1530	1530	0	1	0	1	5
1446	1540	1540	1670	1670	0	1	1	0	6
1587	1640	1640	1830	1830	0	1	1	1	7
1728	1747	1747	2000	2000	1	0	0	0	8
1869	1860	1860	2200	2200	1	0	0	1	9
2151	2400	1055	2800	886	1	0	1	0	A
2433	930	930	810	810	1	0	1	1	B
2010	2247	2247	970	740	1	1	0	0	C
2292	991	991	886	680	1	1	0	1	D
459	2110	2110	2600	970	1	1	1	0	E
NOTONE	NOTONE	NOTONE	NOTONE	NOTONE	1	1	1	1	F

## Specification

### Absolute Maximum Ratings

Exceeding the maximum rating can result in device damage. Operation of the device outside the operating limits is not implied.

Supply voltage		-0.3V to 7.0V
Input voltage at any pin (ref VSS = 0V)		-0.3V to (VDD + 0.3V)
Output sink/source current (total)		20mA
Operating temperature range: FX003*	}	-30°C to +85°C
FX102K/FX202K*		
Storage temperature: FX003*	}	-55°C to 125°C
FX102K/FX202*		
Maximum device dissipation	*QC, QZ, QE, QA, QZS	100mW

### Operating Limits

VDD = 5V, T<sub>A</sub> = 25°C,  $\phi = 560\text{kHz}$ ,  $\Delta f \phi = 0$ .

All characteristics measured using the standard test circuit with the following test parameters, and is valid for all tones unless otherwise stated:—

Characteristic	See Note	Min	Typ	Max	Unit
<b>Static Characteristics</b>					
Supply voltage (VSS = 0V)		3.3	5.0	5.5	V
Supply current			500		μA
Logic '1' output I source = 0.1 mA	1	4.5			V
Logic '0' output I sink = 0.1 mA	1			0.5	V
Logic '1' input Level	2	3.5			V
Logic '0' input level	2			1.5	V
<b>Dynamic Characteristics</b>					
Signal input range	3	0.1		VDD	Vpk-pk
Decode Bandwidth (P ≥ 0.995)	4				
QA	4a	20			±Hz
QC	4b	1			±%
QE	4c	1			±%
QZ/QZS	4d	2			±%
Not-decode bandwidth (P ≤ 0.03)					
QA	5			60	±Hz
QC	5			3	±%
QE	5			3	±%
QZ/QZS	5			4.5	±%
Noise response rate (hours per F → $\bar{F}$ → F single character response with no input tone).					
QA	6		0.15		Hour
QC	6		40.0		Hour
QE	6		40.0		Hour
QZ/QZS	6		1.0		Hour
Decode response time:					
Notone to tone (F → $\bar{F}$ )	7	20	25	T <sub>p</sub>	ms
Tone to notone, T <sub>f</sub> ( $\bar{F}$ → F)	7	33		53	ms
Min. intertone gap for 'F'	8	15		28	ms

Notes		
1.	Relates to output pins 1, 8, 9-12.	5. All conditions of input SNR and amplitude with maximum T <sub>p</sub> specified for toneset.
2.	Relates to input pins 5 and 6.	6. Gaussian input noise, bandwidth 6kHz, maximum input level corresponds to 1-digit code falsing rate. $\bar{F}$ = random single character.
3.	A.C. coupled, sine/squarewave.	7. Delay from change of input (tone applied/removed) to change at Q <sub>0</sub> –Q <sub>3</sub> outputs (see fig. 5).
4.	With minimum tone period (T <sub>p</sub> ) specified for toneset. P = decode probability:	8. Included in T <sub>2</sub> . Minimum tone gap requirement for 'notone' recognition. Outputs = F after delay. (see fig. 5).
(a), (c)	SNR 3 dB	
(b), (d)	SNR 0dB	

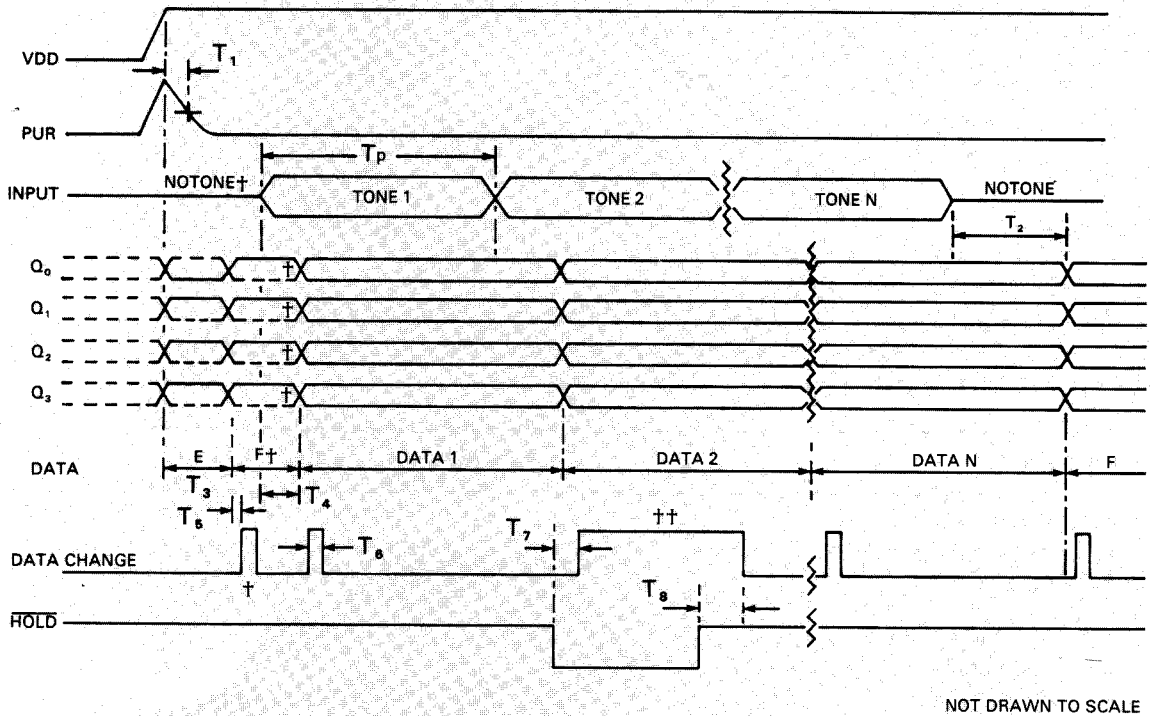


Fig. 5 FX003\* Timing Diagram (See References)

\* QC, QZ, QE, QA, QZS

## Typical Performance

### References:

- $T_1$  Logic 1,  $> 2$  ms
- $T_2 > 33$  ms &  $< 50$  ms
- $T_3$  33 ms (DATA E)
- $T_4$  20 ms minimum ( $T_p$  MAXIMUM)
- $T_5$  0.5 ms – 1.0 ms (DATA CHANGE)
- $T_6$  1.0 ms (DATA CHANGE PULSE DURATION)
- $T_7 > 50$   $\mu$ s
- $T_8 < 120$   $\mu$ s

†  $Q_0 - Q_3$  will represent the input frequency present during and after PUR (shown as 'F' (Notone) in this example).

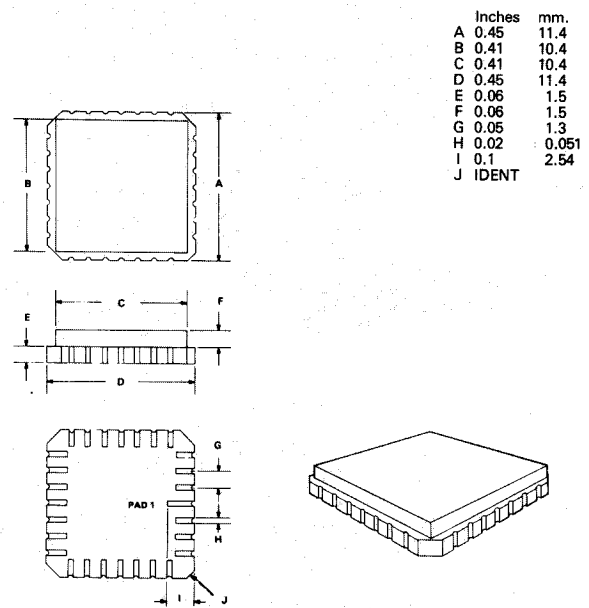
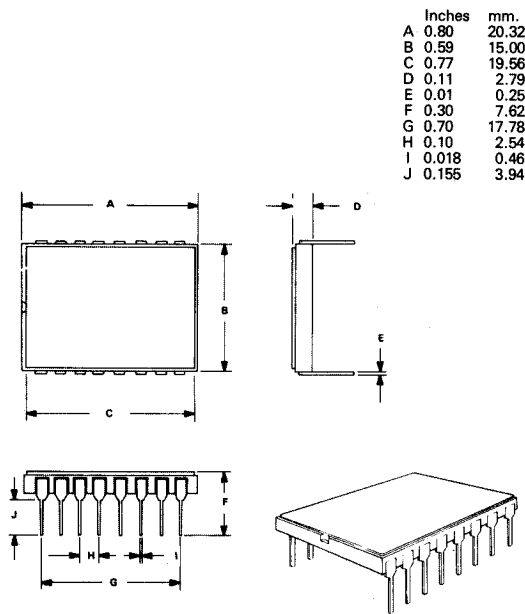
†† After application of  $\overline{HOLD}$  the next Data Change pulse will stay high until  $\overline{HOLD}$  is removed according to timing shown.

The ceramic dual-in-line package of the FX003 is shown in *Figure 6* and the chip carrier version shown in *Figure 7*. For the D.I.L. package, the pins number counter-clockwise (top view) from 1 with reference to a notch as a guidance. For the chip carrier package, pins number counter-clockwise (viewed from above) from the long pad (pad 1).

### Handling Precautions

The FX003 is a CMOS LSI circuit which includes input protection. However, precautions should be taken to prevent static discharges which can cause damage.

Fig. 7 FX102K/202\*K Chip Carrier Package



\* QC, QZ, QE, QA, QZS

FX003\* 16-pin Ceramic D.I.L.  
 FX102K 28-pad Ceramic Chip Carrier  
 FX202\*K 28-pad Ceramic Chip Carrier

### \* VERSIONS

QC : CCIR  
 QZ : ZVEI  
 QE : EEA  
 QA : EIA  
 QZS : Suppressed ZVEI

**Note:** FX102K & FX202\*K are available in pairs only.